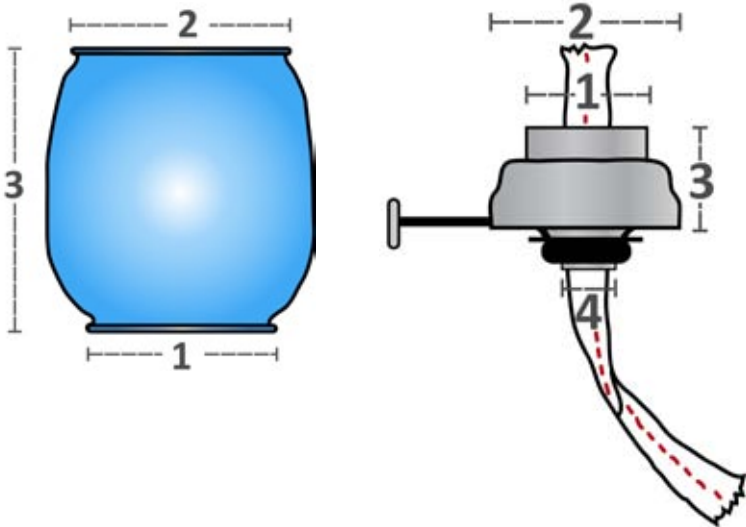


V&O Lantern Parts and Measurements

Model	Height	Lasts	Fuel	Wicks	Burners	Globes
Little Camper	7.5"	10 hrs	4 oz	1/2" (5/16") OBP29932	(1=7/8", 2=2 1/2", 4=6/8", 3=1")	(1=1 7/8", 2=1 7/8", 3=2 3/8")
Centennial Storm Lantern	10"	11 - 15 hrs	8 oz	7/16" - 1/2" OBP29911S, OBP29933	(1=1 1/8", 2=2", 4=7/8", 3=1 1/2") OBP12634*	85-07 (1=2 1/4", 2=3 3/8", 3=2 5/8")
Camper Lantern / Large Tank	11-12"	35/45 hrs	12/36 oz	7/16" - 1/2" C6987101, OBP29911S	(1=1-1/8", 2=2-1/8", 4=7/8", 3=1") OBP12631*	L85-10 (1=1 5/8", 2=3 1/8", 3=3 1/4")
Pathfinder Hurricane	12"	35 hrs	12 oz	7/16" - 1/2" C6987101, OBP29911S	(1=1-1/8", 2=2-1/8", 4=7/8", 3=1") OBP12631*	L85-08 (1=2 1/2", 2=5 5/8", 3=2 5/16")
Large Camper Lantern	13.5"	27 hrs	31 oz	3/4" wide - A57311, OBP29916S, OBP29918S	(1=1-1/2", 2=2-1/2", 4=1-3/16", 3=1-3/4") OBP12632*	OBP58106 (1= 3 3/8", 2=3 3/4", 3=4 5/8")
Large Hurricane	15"	26-27 hrs	31 oz	3/4" wide - A57311, OBP29916S, OBP29918S	(1=1-1/2", 2=2-1/2", 4=1-3/16", 3=1-3/4") OBP12632*	L85-09 (1= 3 3/8", 2=2 5/8", 3=6 3/4")

* NOT A PERFECT FIT, but close. This is not an official replacement burner for this lantern. It will work if you're between a rock and a hard place. To fit snugly may require minor adjusting. Wick is 1/8" smaller in this burner than in original. (replacement wick becomes replacement wick for burner)

* NOT A PERFECT FIT, but close. This is not an official replacement burner for this lantern. It will work if you're between a rock and a hard place. To fit snugly may require minor adjusting. Wick is 1/8" larger in this burner than in original. (replacement wick becomes replacement wick for burner)



RED HILL GENERAL STORE