

Dietz Lantern Parts and Measurements

Model	Height	Lasts	Fuel	Wicks	Burners	Globes
#50 Comet	8.5"	15 hrs	6 oz	3/8" OBP29932	OBP12634 (1=7/8", 2=2", 4=3/4", 3=1")	OBP58105 (1=2 1/4", 2=2 3/8", 3=3")
#76 Original	10"	11 hrs	8 oz	1/2" OBP29933	OBP12630 (1=1", 2=1 7/8", 4=1 3/16", 3=1 1/8")	58104 (1=2 3/8", 2=2 5/8", 3=3 1/2")
Little Wizard	12"	45 hrs	31 oz	5/8" OBP29930	OBP12631 (1=1-1/8", 2=2-1/8", 4=7/8", 3=1")	58100 (1=2 3/4", 2=3 1/4", 3=4")
Junior	12"	12 hrs	9 oz	5/8" OBP29930	OBP12631 (1=1-1/8", 2=2-1/8", 4=7/8", 3=1")	OBP58103 (1=2 3/4", 2=2 3/8", 3=5 5/8")
Blizzard	15"	26 hrs	31 oz	7/8" wide - OBP29931	OBP12632 (1=1-1/2", 2=2-1/2", 4=1-3/16", 3=1-3/4")	58101 (1=3 3/8", 2=2 3/4", 3=6 3/4")
Jupiter	15"	72 hrs	84 oz	7/8" OBP29931	OBP12632 (1=1-1/2", 2=2-1/2", 4=1-3/16", 3=1-3/4")	58106 (1=3 3/8", 2=4", 3=4 3/4")
Lantern Cooker	12"	23 hours	17 oz	5/8" OBP29930	OBP12631 (1=1-1/8", 2=2-1/8", 4=7/8", 3=1")	OBP58100 (1=2 3/4", 2=3 1/4", 3=4")
Railroad	10"	10 hrs	6 oz	3/8" OBP29932, OBP29910		OBP58100 (1=2 3/4", 2=3 1/4", 3=4")

Fuel caps OBP20040, OBP20041, OBP20042 universally fit all Dietz Lanterns.

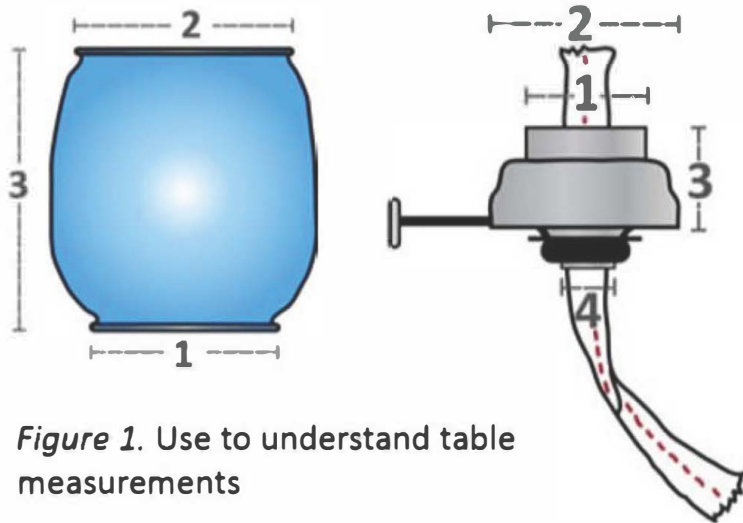


Figure 1. Use to understand table measurements

RED HILL GENERAL STORE